

V99F TYPE

PACKINGS FOR BOTH PISTON
AND ROD SEALS
FABRIC REINFORCED NITRILE RUBBER



F
DIMENSION
V99F

● Please designate NOK Part number and type & size on your order.

(1) In case of V packing only

VP F 6.3 CV0002C0
 └─ V packing └─ Nominal number └─ Part Number

(2) In case of adapter

VM1- 6.3 CP3673A0
 └─ Nominal number └─ Part Number

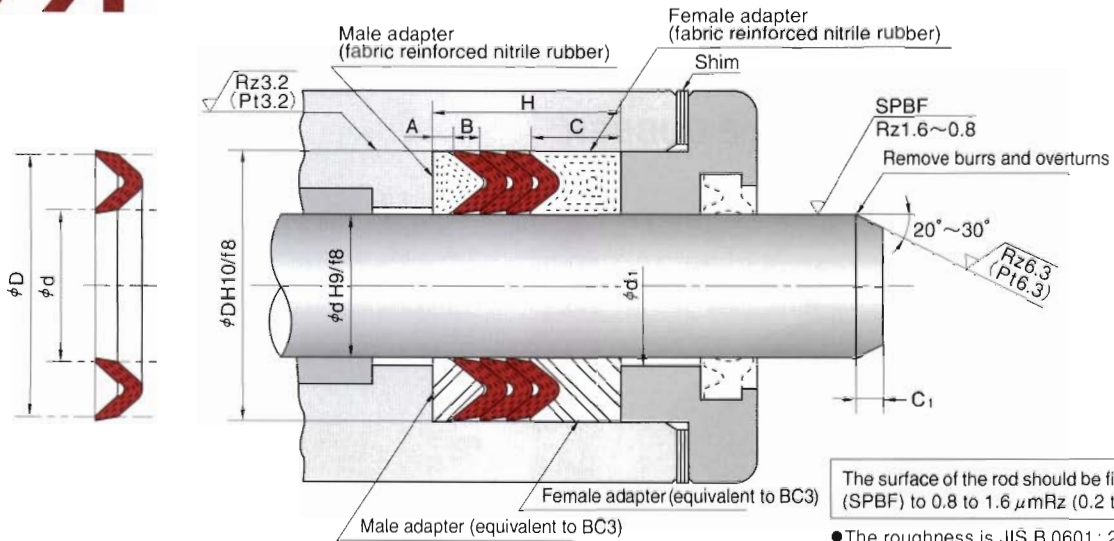
(3) In case of the combination of V packing and adapter
(In this case, the part number does not need to be designated.)

VPF 6.3 - 3 1 1
 └─ V packing └─ Nominal number └─ Number of V packings in use └─ Type of male adapter └─ Type of female adapter
 1...fabric reinforced nitrile rubber 2...equivalent to BC3
 1...fabric reinforced nitrile rubber 2...equivalent to BC3

● Please check the application range on pages 14 and 15 before selecting the type.

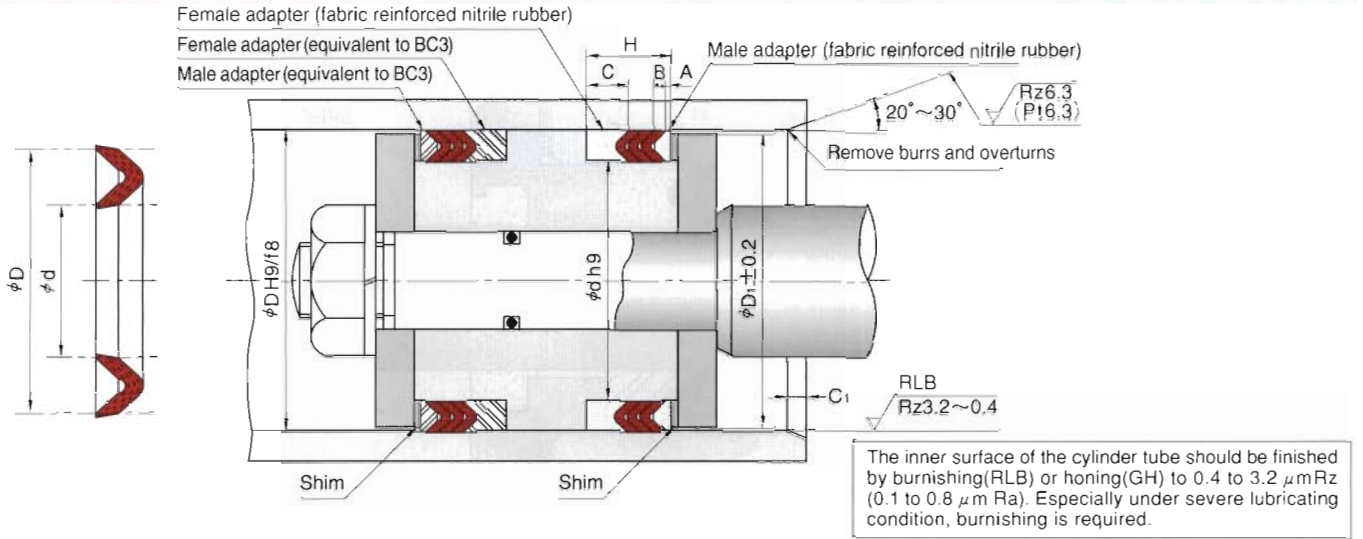
Material	V packing only	NOK 21AG (fabric reinforced nitrile rubber)																			
	Adapter	Type 1 : NOK 21AG (fabric reinforced nitrile rubber) Type 2 : equivalent to BC3 (bronze)																			
Caution for application	1. Initial tightening torque After fitting into the groove, adjust the tightening torque by using shims according to the below instruction. These figures do not mean the final tightening torque. Initial tightening torque (reference value) (mm)																				
	<table border="1"> <thead> <tr> <th rowspan="2">Nominal number</th> <th colspan="3">Number of packings</th> </tr> <tr> <th>3</th> <th>4</th> <th>5</th> </tr> </thead> <tbody> <tr> <td>F6.3~250</td> <td>0.45</td> <td>0.60</td> <td>0.75</td> </tr> <tr> <td>F265~500</td> <td>0.75</td> <td>1.00</td> <td>1.25</td> </tr> <tr> <td>F530~650</td> <td>1.20</td> <td>1.60</td> <td>2.00</td> </tr> </tbody> </table>		Nominal number	Number of packings			3	4	5	F6.3~250	0.45	0.60	0.75	F265~500	0.75	1.00	1.25	F530~650	1.20	1.60	2.00
	Nominal number	Number of packings																			
3		4	5																		
F6.3~250	0.45	0.60	0.75																		
F265~500	0.75	1.00	1.25																		
F530~650	1.20	1.60	2.00																		
2. About the material of adapter If the operation pressure exceeds 8MPa, use the material of BC equivalent.																					

V99F TYPE PACKINGS FOR BOTH PISTON AND ROD SEALS (EQUIVALENT TO JIS B 2403)



Nominal Number	Nominal Size of Packing			NOK Part Number	Adapter size		Installation length H			C ₁	φd ₁	φD ₁
	d	D	B		A	C	Number of packings					
F 6.3	6.3	16.3	3 ^{+0.5} _{-0.2}	CV0002C0	5	17	20	23	2.5	2	d+1	D-1
F 7.1	7.1	17.1		CV0006C0								
F 8	8	18		CV0011C0								
F 9	9	19		CV0019C0								
F 10	10	20		CV0028C0								
F 11.2	11.2	21.2		CV0038C0								
F 12.5	12.5	22.5		CV0047C0								
F 14	14	24		CV0057C0								
F 16	16	26		CV0085C0								
F 15	15	28		CV0071C0								
F 18	18	31	CV0109C0	6.5	18.5	21.5	24.5	3.5	3.5	d+1	D-1	
F 18.5	18.5	31.5	CV0114C0									
F 20	20	33	CV0132C0									
F 22.4	22.4	35.4	CV0163C0									
F 25	25	38	CV0176C0									
F 27	27	40	CV0220C0									
F 28	28	41	CV0231C0									
F 31.5	31.5	44.5	CV0280C0									
F 32	32	45	CV0293C0									
F 34	34	50	CV0309C0									3
F 35.5	35.5	51.5	CV0339C0									
F 40	40	56	CV0370C0									
F 45	45	61	CV0418C0									
F 47	47	63	CV0441C0									
F 50	50	66	CV0457C0									
F 53	53	69	CV0503C0									
F 55	55	71	CV0518C0									
F 56	56	72	CV0539C0									
F 60	60	76	CV0562C0	10	28	33	38	5	d+2	D-2		
F 63	63	79	CV0599C0									
F 64	64	80	CV0620C0									
F 67	67	87	CV0651C0									
F 70	70	90	CV0674C0									
F 71	71	91	CV0701C0									
F 75	75	95	CV0711C0									
F 80	80	100	CV0755C0									
F 85	85	105	CV0793C0									
F 90	90	110	CV0827C0									
F 92	92	112	CV0850C0									
F 95	95	115	CV0855C0									
F 100	100	120	CV0873Y0									

F DIMENSION V99F



●The roughness is JIS B 0601 : 2001.
When regulation length cannot be kept, apply Pt.

Fabric reinforced nitrile rubber adapter

Metal (equivalent to BC3) adapter

Male

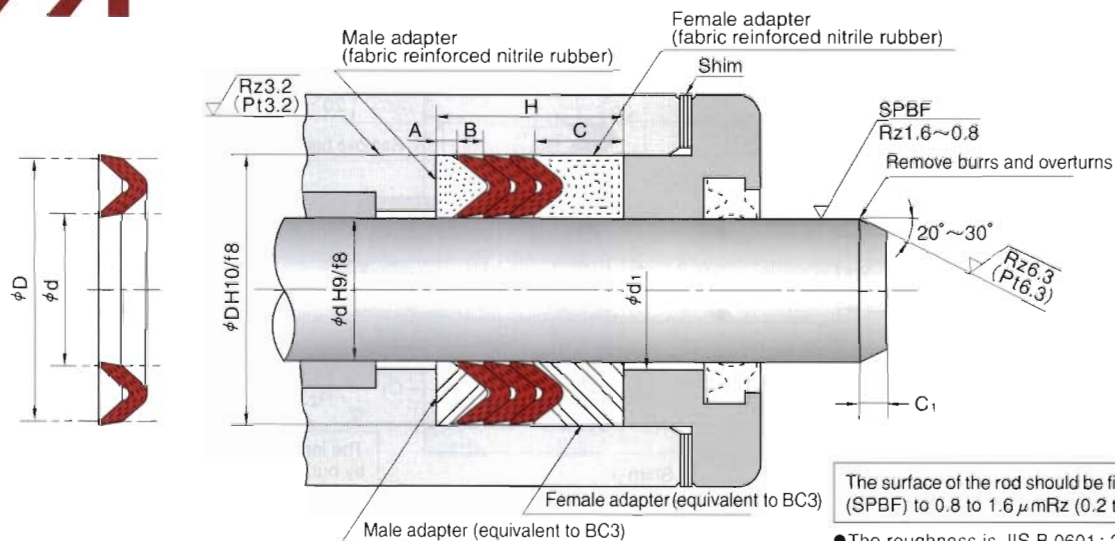
Female

Male

Female

Nominal Number	NOK Part Number	Nominal Number	NOK Part Number	Nominal Number	NOK Part Number	Nominal Number	NOK Part Number
VM1- 6.3	CP3673A0	VF1- 6.3	CP0839A0	VM2- 6.3	CP3673B0	VF2- 6.3	CP0840B0
VM1- 7.1	CP3044A0	VF1- 7.1	CP0051A0	VM2- 7.1	CP3044B0	VF2- 7.1	CP0841B0
VM1- 8	CP3081A0	VF1- 8	CP0775A0	VM2- 8	CP3081B0	VF2- 8	CP0091B0
VM1- 9	CP3646A0	VF1- 9	CP0842A0	VM2- 9	CP3646B0	VF2- 9	CP0776B0
VM1- 10	CP3080A0	VF1- 10	CP0777A0	VM2- 10	CP3080B0	VF2- 10	CP0778B0
VM1- 11.2	CP3674A0	VF1- 11.2	CP0843A0	VM2- 11.2	CP3674B0	VF2- 11.2	CP0844B0
VM1- 12.5	CP3077A0	VF1- 12.5	CP0821A0	VM2- 12.5	CP3077B0	VF2- 12.5	CP0086B0
VM1- 14	CP3055A0	VF1- 14	CP0063A0	VM2- 14	CP3055B0	VF2- 14	CP0779B0
VM1- 16	CP3247A0	VF1- 16	CP0780A0	VM2- 16	CP3247B1	VF2- 16	CP0781B0
VM1- 15	CP3082A0	VF1- 15	CP0092A0	VM2- 15	CP3082B0	VF2- 15	CP0093B0
VM1- 18	CP3115A0	VF1- 18	CP0782A0	VM2- 18	CP3115B0	VF2- 18	CP0137B0
VM1- 18.5	CP3647A0	VF1- 18.5	CP0845A0	VM2- 18.5	CP3647B0	VF2- 18.5	CP0783B0
VM1- 20	CP3056A0	VF1- 20	CP0064A0	VM2- 20	CP3056B0	VF2- 20	CP0094B0
VM1- 22.4	CP3083A0	VF1- 22.4	CP0095A0	VM2- 22.4	CP3083B0	VF2- 22.4	CP0784B0
VM1- 25	CP3084A0	VF1- 25	CP0097A0	VM2- 25	CP3084B0	VF2- 25	CP0096B0
VM1- 27	CP3648A0	VF1- 27	CP0785A0	VM2- 27	CP3648B0	VF2- 27	CP0786B0
VM1- 28	CP3070A0	VF1- 28	CP0098A0	VM2- 28	CP3070B0	VF2- 28	CP0079B0
VM1- 31.5	CP3053A0	VF1- 31.5	CP0787A0	VM2- 31.5	CP3053B0	VF2- 31.5	CP0061B0
VM1- 32	CP3078A0	VF1- 32	CP0099A0	VM2- 32	CP3078B0	VF2- 32	CP0087B0
VM1- 34	CP3085A0	VF1- 34	CP0100A0	VM2- 34	CP3085B0	VF2- 34	CP0100B0
VM1- 35.5	CP3649A0	VF1- 35.5	CP0788A0	VM2- 35.5	CP3649B0	VF2- 35.5	CP0788B0
VM1- 40	CP3060A0	VF1- 40	CP0101A0	VM2- 40	CP3060B0	VF2- 40	CP0101B0
VM1- 45	CP3086A0	VF1- 45	CP0102A0	VM2- 45	CP3086B0	VF2- 45	CP0102B0
VM1- 47	CP3650A0	VF1- 47	CP0199A0	VM2- 47	CP3650B0	VF2- 47	CP0199B0
VM1- 50	CP3064A0	VF1- 50	CP0072A0	VM2- 50	CP3064B0	VF2- 50	CP0072B0
VM1- 53	CP3087A0	VF1- 53	CP0103A0	VM2- 53	CP3087B0	VF2- 53	CP0103B0
VM1- 55	CP3651A0	VF1- 55	CP0789A0	VM2- 55	CP3651B0	VF2- 55	CP0789B0
VM1- 56	CP3652A0	VF1- 56	CP0790A0	VM2- 56	CP3652B0	VF2- 56	CP0790B0
VM1- 60	CP3088A0	VF1- 60	CP0104A0	VM2- 60	CP3088B0	VF2- 60	CP0104B0
VM1- 63	CP3089A0	VF1- 63	CP0105A0	VM2- 63	CP3089B0	VF2- 63	CP0105B0
VM1- 64	CP3059A0	VF1- 64	CP0067A0	VM2- 64	CP3090B0	VF2- 64	CP0106B0
VM1- 67	CP3091A0	VF1- 67	CP0107A0	VM2- 67	CP3091B0	VF2- 67	CP0791B0
VM1- 70	CP3051A0	VF1- 70	CP0029A1	VM2- 70	CP3051B0	VF2- 70	CP0059B0
VM1- 71	CP3653A0	VF1- 71	CP0792A0	VM2- 71	CP3653B0	VF2- 71	CP0793B0
VM1- 75	CP3092A0	VF1- 75	CP0109A0	VM2- 75	CP3092B0	VF2- 75	CP0108B0
VM1- 80	CP3007A0	VF1- 80	CP0055A0	VM2- 80	CP3093B0	VF2- 80	CP0009B1
VM1- 85	CP3094A0	VF1- 85	CP0110A0	VM2- 85	CP3094B0	VF2- 85	CP0794B0
VM1- 90	CP3095A0	VF1- 90	CP0111A0	VM2- 90	CP3095B0	VF2- 90	CP0313B0
VM1- 92	CP3675A0	VF1- 92	CP0846A0	VM2- 92	CP3675B0	VF2- 92	CP0847B0
VM1- 95	CP3096A0	VF1- 95	CP0113A0	VM2- 95	CP3096B0	VF2- 95	CP0112B0
VM1-100	CP3008A0	VF1- 100	CP0114A0	VM2-100	CP3008B0	VF2- 100	CP0010B1

V99F TYPE PACKINGS FOR BOTH PISTON AND ROD SEALS (EQUIVALENT TO JIS B 2403)

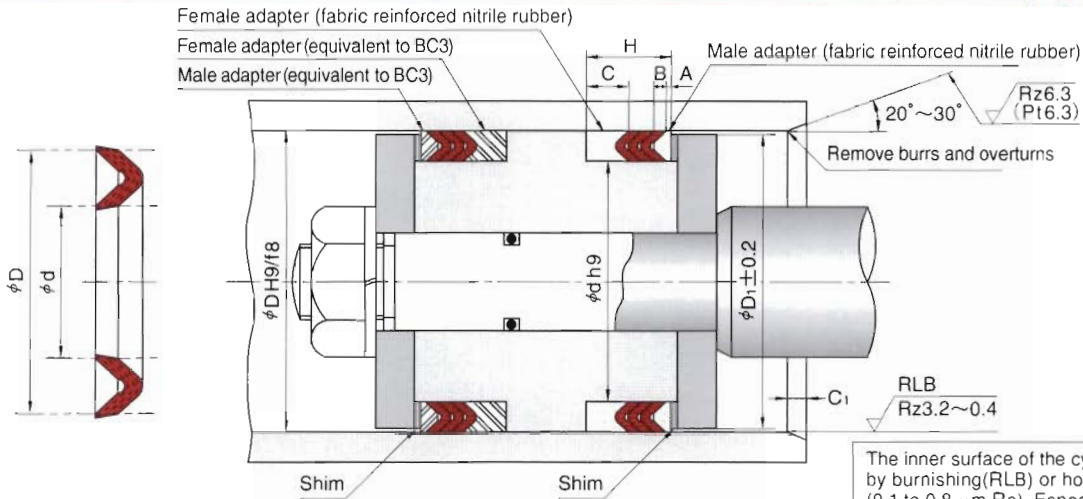


The surface of the rod should be finished by buffing (SPBF) to 0.8 to 1.6 μmRz (0.2 to 0.4 μmRa).

●The roughness is JIS B 0601 : 2001.
When regulation length cannot be kept, apply Pt.

Nominal Number	Nominal Size of Packing			NOK Part Number	Adapter size		Installation length H			C ₁	φd ₁	φD ₁
	d	D	B		A	C	3	4	5			
F 105	105	125	5 ^{+0.5} _{-0.2}	CV0928C0	10	28	33	38	5	d+2	D-2	
F 106	106	126		CV0940C0								
F 112	112	132		CV0967C0								
F 118	118	138		CV0990C0								
F 120	120	140		CV0994C0								
F 125	125	150		CV1018C0								
F 132	132	157		CV1054C0								
F 135	135	160		CV1063C0								
F 140	140	165		CV1088C0								
F 145	145	170		CV1117C0								
F 150	150	175	CV1144C0	12.5	33.5	39.5	45.5	6.5	d+2	D-2		
F 155	155	180	CV1177C0									
F 160	160	185	CV1184C0									
F 165	165	190	CV1204C0									
F 170	170	195	CV1216C0									
F 175	175	200	CV1236C0									
F 180	180	205	CV1261C0									
F 190	190	215	CV1287C0									
F 199	199	224	CV1309C0									
F 200	200	225	CV1316C0									
F 212	212	237	CV1351C0	16	40	47	54	7.5	d+3	D-3		
F 224	224	249	CV1385C0									
F 225	225	250	CV1393C0									
F 236	236	261	CV1417C0									
F 250	250	275	CV1446C0									
F 265	265	297	CV1487C0									
F 280	280	312	CV1513C0									
F 300	300	332	CV1540C0									
F 315	315	347	CV1570C0									
F 335	335	367	CV1593C0									
F 355	355	387	CV1608C0	20	47	55	63	10	d+3	D-3		
F 375	375	407	CV1631A0									
F 400	400	432	CV1642C0									
F 425	425	457	CV1665C0									
F 450	450	482	CV1889C0									
F 475	475	507	CV1681C0									
F 500	500	532	CV1692C0									
F 530	530	570	CV1701C0									
F 560	560	600	CV1890C0									
F 600	600	640	CV1827C0									
F 630	630	670	CV1729C0									

F DIMENSION V99F



●The roughness is JIS B 0601 : 2001.
When regulation length cannot be kept, apply Pt.

Fabric reinforced nitrile rubber adapter

Metal (equivalent to BC3) adapter

Male

Female

Male

Female

Nominal Number	NOK Part Number	Nominal Number	NOK Part Number	Nominal Number	NOK Part Number	Nominal Number	NOK Part Number
VM1- 105	CP3097A0	VF1- 105	CP0116A0	VM2- 105	CP3097B0	VF2- 105	CP0115B0
VM1- 106	CP3098A0	VF1- 106	CP0117A0	VM2- 106	CP3098B0	VF2- 106	CP0795B0
VM1- 112	CP3099A0	VF1- 112	CP0118A0	VM2- 112	CP3099B0	VF2- 112	CP0796B0
VM1- 118	CP3655A0	VF1- 118	CP0848A0	VM2- 118	CP3655B0	VF2- 118	CP0797B0
VM1- 120	CP3100A0	VF1- 120	CP0119A0	VM2- 120	CP3100B0	VF2- 120	CP0120B0
VM1- 125	CP3101A0	VF1- 125	CP0121A0	VM2- 125	CP3101B0	VF2- 125	CP0011B1
VM1- 132	CP3656A0	VF1- 132	CP0798A0	VM2- 132	CP3656B0	VF2- 132	CP0799B0
VM1- 135	CP3343A0	VF1- 135	CP0800A0	VM2- 135	CP3343B0	VF2- 135	CP0402B0
VM1- 140	CP3102A0	VF1- 140	CP0211A0	VM2- 140	CP3102B0	VF2- 140	CP0122B0
VM1- 145	CP3103A0	VF1- 145	CP0123A0	VM2- 145	CP3010B0	VF2- 145	CP0012B1
VM1- 150	CP3104A0	VF1- 150	CP0124A0	VM2- 150	CP3104B0	VF2- 150	CP0438B0
VM1- 155	CP3105A0	VF1- 155	CP0125A0	VM2- 155	CP3105B0	VF2- 155	CP0801B0
VM1- 160	CP3039A0	VF1- 160	CP0071A0	VM2- 160	CP3039B0	VF2- 160	CP0126B0
VM1- 165	CP3025A0	VF1- 165	CP0802A0	VM2- 165	CP3025B0	VF2- 165	CP0463B0
VM1- 170	CP3657A0	VF1- 170	CP0803A0	VM2- 170	CP3657B0	VF2- 170	CP0013B1
VM1- 175	CP3061A0	VF1- 175	CP0068A0	VM2- 175	CP3061B0	VF2- 175	CP0638B0
VM1- 180	CP3013A0	VF1- 180	CP0804A0	VM2- 180	CP3013B0	VF2- 180	CP0015B1
VM1- 190	CP3413A0	VF1- 190	CP0805A0	VM2- 190	CP3413B0	VF2- 190	CP0806B0
VM1- 199	CP3069A0	VF1- 199	CP0807A0	VM2- 199	CP3069B0	VF2- 199	CP0078B0
VM1- 200	CP3106A0	VF1- 200	CP0127A0	VM2- 200	CP3106B0	VF2- 200	CP0128B0
VM1- 212	CP3676A0	VF1- 212	CP0062A0	VM2- 212	CP3676B0	VF2- 212	CP0524B0
VM1- 224	CP3658A0	VF1- 224	CP0808A0	VM2- 224	CP3658B0	VF2- 224	CP0809B0
VM1- 225	CP3677A0	VF1- 225	CP0070A0	VM2- 225	CP3677B0	VF2- 225	CP0539B1
VM1- 236	CP3107A0	VF1- 236	CP0810A0	VM2- 236	CP3107B0	VF2- 236	CP0129B0
VM1- 250	CP3062A0	VF1- 250	CP0069A0	VM2- 250	CP3062B0	VF2- 250	CP0563B1
VM1- 265	CP3108A0	VF1- 265	CP0130A0	VM2- 265	CP3108B0	VF2- 265	CP0583B1
VM1- 280	CP3057A0	VF1- 280	CP0065A0	VM2- 280	CP3057B0	VF2- 280	CP0595B1
VM1- 300	CP3048A0	VF1- 300	CP0056A0	VM2- 300	CP3048B0	VF2- 300	CP0612B1
VM1- 315	CP3015A0	VF1- 315	CP0811A0	VM2- 315	CP3015B0	VF2- 315	CP0017B1
VM1- 335	CP3109A0	VF1- 335	CP0131A0	VM2- 335	CP3109B0	VF2- 335	CP0812B0
VM1- 355	CP3524A0	VF1- 355	CP0813A0	VM2- 355	CP3524B0	VF2- 355	CP0636B1
VM1- 375	CP3016A0	VF1- 375	CP0814A0	VM2- 375	CP3016B0	VF2- 375	CP0018B1
VM1- 400	CP3045A0	VF1- 400	CP0815A0	VM2- 400	CP3045B0	VF2- 400	CP0052B0
VM1- 425	CP3659A0	VF1- 425	CP0849A0	VM2- 425	CP3659B0	VF2- 425	CP0820B0
VM1- 450	CP3660A0	VF1- 450	CP0850A0	VM2- 450	CP3660B0	VF2- 450	CP0816B0
VM1- 475	CP3556A0	VF1- 475	CP0671A0	VM2- 475	CP3556B0	VF2- 475	CP0851B0
VM1- 500	CP3661A0	VF1- 500	CP0817A0	VM2- 500	CP3661B0	VF2- 500	CP0818B0
VM1- 530	CP3662A0	VF1- 530	CP0819A0	VM2- 530	CP3662B0	VF2- 530	CP0852B0
VM1- 560	CP3110A0	VF1- 560	CP0132A0	VM2- 560	CP3110B0	VF2- 560	CP0133B0
VM1- 600	CP3040A0	VF1- 600	CP0853A0	VM2- 600	CP3040B0	VF2- 600	CP0046B0
VM1- 630	CP3678A0	VF1- 630	CP0854A0	VM2- 630	CP3678B0	VF2- 630	CP0855B0

V96H TYPE

PACKINGS FOR BOTH PISTON
AND ROD SEALS
NITRILE RUBBER (NBR)



F
DIMEN
SION
V
9
6
H

● Please designate NOK Part number and type & size on your order.

(1) In case of V packing only

VP H 6.3 CV0001F0
 ↳ V packing ↳ Nominal number ↳ Part Number

(2) In case of adapter

VM1- 6.3 CP3673A0
 ↳ Nominal number ↳ Part Number

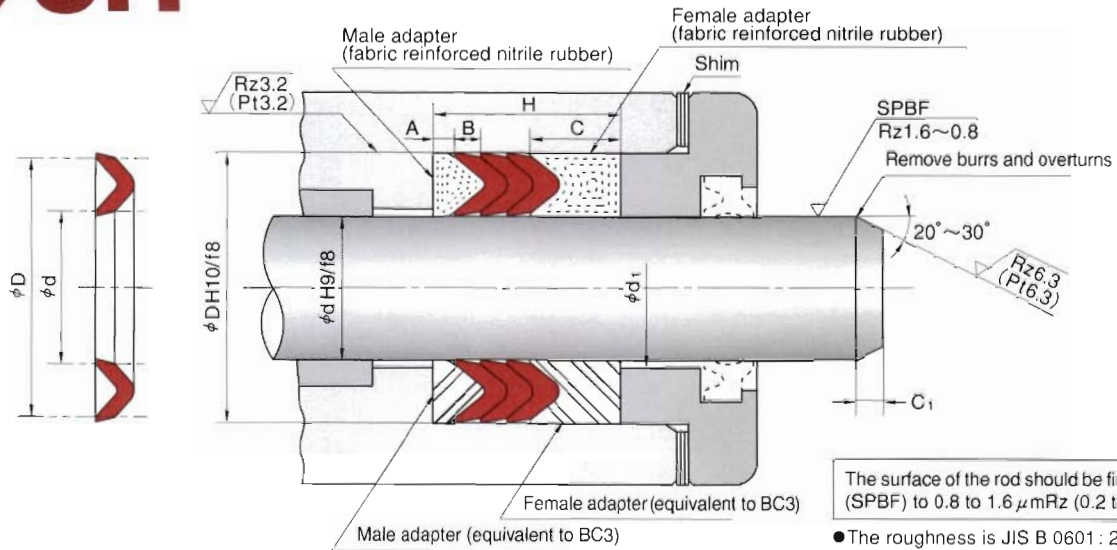
(3) In case of the combination of V packing and adapter
(In this case, the part number does not need to be designated.)

VPH 6.3 - 3 1 1
 ↳ V packing ↳ Nominal number ↳ Number of V packings in use ↳ Type of male adapter ↳ Type of female adapter
 1... fabric reinforced nitrile rubber 1... fabric reinforced nitrile rubber
 2... equivalent to BC3 2... equivalent to BC3

● Please check the application range on pages 14 and 15 before selecting the type.

Material	V packing only	NOK A505
	Adapter	Type 1 : NOK 21AG (fabric reinforced nitrile rubber) Type 2 : equivalent to BC3 (bronze)
Special order	If you require packings having dimensions not listed in this dimension table or made of materials (rubber) other than the standard, new mold might be necessary. In this case, we will submit to you our quotation for such packings.	
Caution for application	1. After fitting into the groove, no initial tightening is necessary. 2. About the material of adapter If the operation pressure exceeds 8MPa, use the material of BC equivalent.	

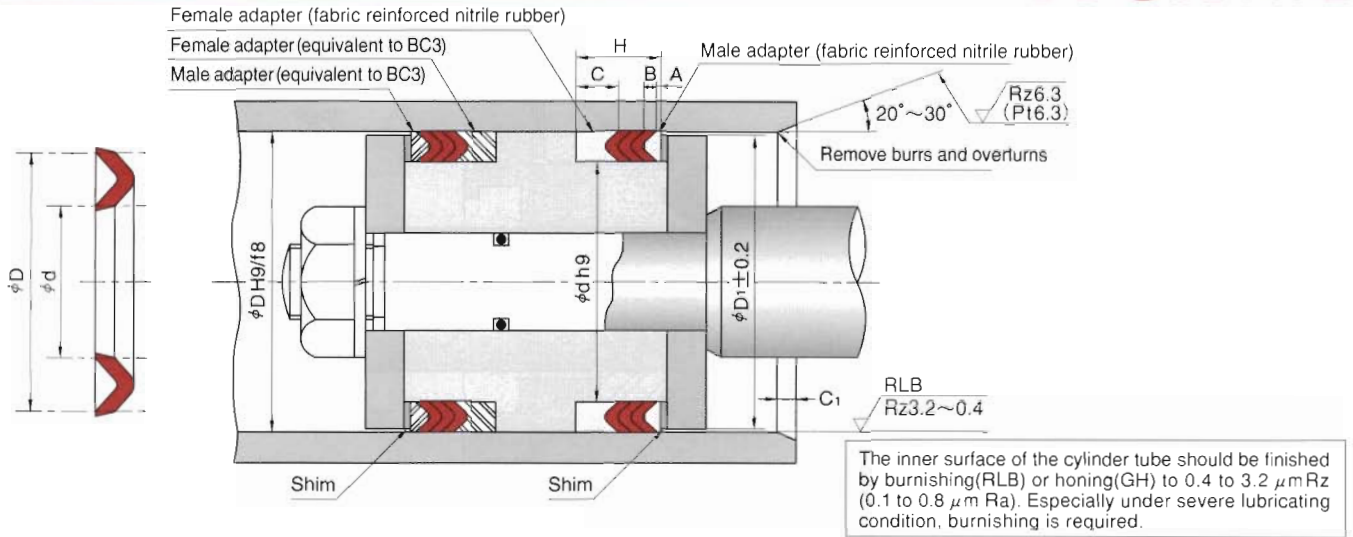
V96H TYPE PACKINGS FOR BOTH PISTON AND ROD SEALS (EQUIVALENT TO JIS B 2403)



The surface of the rod should be finished by buffing (SPBF) to 0.8 to 1.6 μmRz (0.2 to 0.4 μmRa).
 ● The roughness is JIS B 0601 : 2001.
 When regulation length cannot be kept, apply Pt.

Nominal Number	Nominal Size of Packing			NOK Part Number	Adapter size		Installation length H			C ₁	φd ₁	φD ₁
	d	D	B		A	C	Number of packings					
							3	4	5			
H 6.3	6.3	16.3	2.5 ± 0.3	CV0001F0	5	15.5	18	20.5	2.5	2	d+1	D-1
H 7.1	7.1	17.1		CV0005F0								
H 8	8	18		CV0010F0								
H 9	9	19		CV0018F0								
H 10	10	20		CV0027F0								
H 11.2	11.2	21.2		CV0037F0								
H 12.5	12.5	22.5		CV0046F0								
H 14	14	24		CV0056F0								
H 16	16	26		CV0084F0								
H 15	15	28		CV0071F0								
H 18	18	31	CV0109F0	6.5	18.5	21.5	24.5	3.5	3.5	d+1	D-1	
H 18.5	18.5	31.5	CV0114F0									
H 20	20	33	CV0132F0									
H 22.4	22.4	35.4	CV0163F0									
H 25	25	38	CV0176F0									
H 27	27	40	CV0220F0									
H 28	28	41	CV0231F0									
H 31.5	31.5	44.5	CV0280F0									
H 32	32	45	CV0293F0									
H 34	34	50	CV1893F0									
H 35.5	35.5	51.5	CV0338F0	8	21.5	25	28.5	4	4	d+1	D-1	
H 40	40	56	CV0369F0									
H 45	45	61	CV0417F0									
H 47	47	63	CV0440F0									
H 50	50	66	CV0456F0									
H 53	53	69	CV0502F0									
H 55	55	71	CV0517F0									
H 56	56	72	CV0538F0									
H 60	60	76	CV0561F0									
H 63	63	79	CV0598F0									
H 64	64	80	CV0619F0	10	25	29	33	5	d+2	D-2		
H 67	67	87	CV0650F0									
H 70	70	90	CV0673F0									
H 71	71	91	CV0700F1									
H 75	75	95	CV0710F0									
H 80	80	100	CV0754F0									
H 85	85	105	CV0792F0									
H 90	90	110	CV0826F0									
H 92	92	112	CV0849F0									
H 95	95	115	CV0854F0									

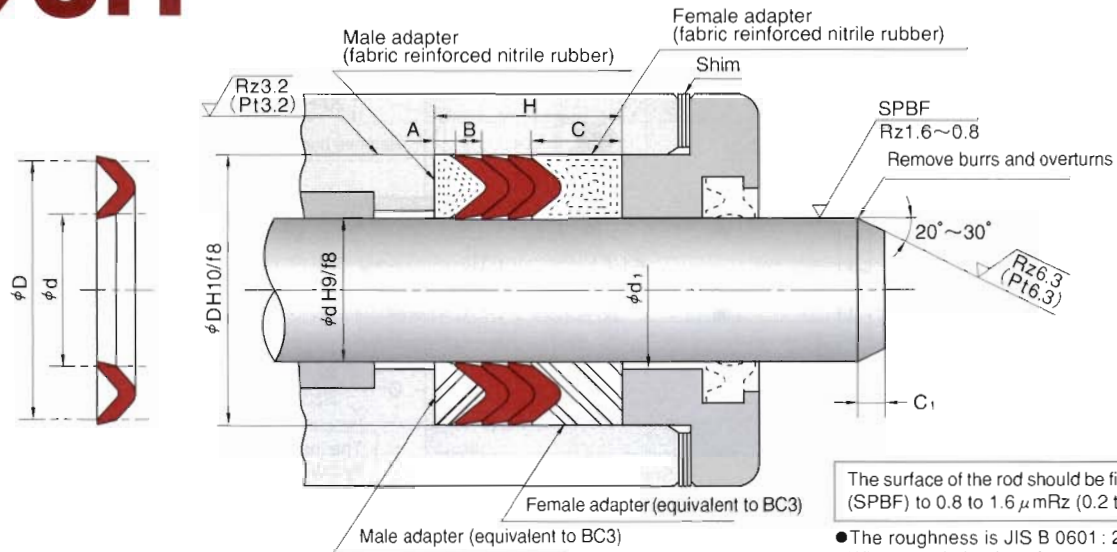
F DIMENSION V96H



F
 DIMENSION
V96H

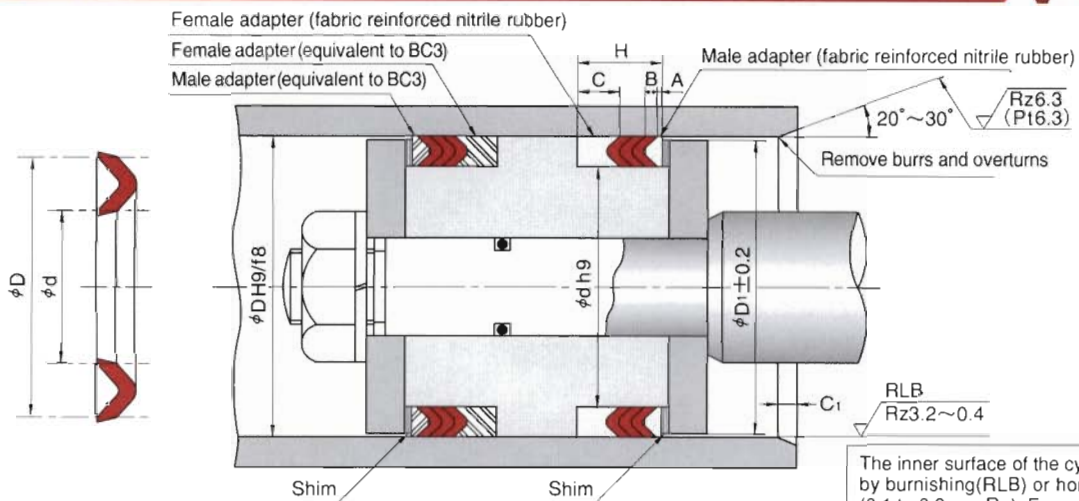
Fabric reinforced nitrile rubber adapter				Metal (equivalent to BC3) adapter			
Male		Female		Male		Female	
Nominal Number	NOK Part Number	Nominal Number	NOK Part Number	Nominal Number	NOK Part Number	Nominal Number	NOK Part Number
VM1- 6.3	CP3673A0	VF1- 6.3	CP0839A0	VM2- 6.3	CP3673B0	VF2- 6.3	CP0840B0
VM1- 7.1	CP3044A0	VF1- 7.1	CP0051A0	VM2- 7.1	CP3044B0	VF2- 7.1	CP0841B0
VM1- 8	CP3081A0	VF1- 8	CP0775A0	VM2- 8	CP3081B0	VF2- 8	CP0091B0
VM1- 9	CP3646A0	VF1- 9	CP0842A0	VM2- 9	CP3646B0	VF2- 9	CP0776B0
VM1- 10	CP3080A0	VF1- 10	CP0777A0	VM2- 10	CP3080B0	VF2- 10	CP0778B0
VM1- 11.2	CP3674A0	VF1- 11.2	CP0843A0	VM2- 11.2	CP3674B0	VF2- 11.2	CP0844B0
VM1- 12.5	CP3077A0	VF1- 12.5	CP0821A0	VM2- 12.5	CP3077B0	VF2- 12.5	CP0086B0
VM1- 14	CP3055A0	VF1- 14	CP0063A0	VM2- 14	CP3055B0	VF2- 14	CP0779B0
VM1- 16	CP3247A0	VF1- 16	CP0780A0	VM2- 16	CP3247B1	VF2- 16	CP0781B0
VM1- 15	CP3082A0	VF1- 15	CP0092A0	VM2- 15	CP3082B0	VF2- 15	CP0093B0
VM1- 18	CP3115A0	VF1- 18	CP0782A0	VM2- 18	CP3115B0	VF2- 18	CP0137B0
VM1- 18.5	CP3647A0	VF1- 18.5	CP0845A0	VM2- 18.5	CP3647B0	VF2- 18.5	CP0783B0
VM1- 20	CP3056A0	VF1- 20	CP0064A0	VM2- 20	CP3056B0	VF2- 20	CP0094B0
VM1- 22.4	CP3083A0	VF1- 22.4	CP0095A0	VM2- 22.4	CP3083B0	VF2- 22.4	CP0784B0
VM1- 25	CP3084A0	VF1- 25	CP0097A0	VM2- 25	CP3084B0	VF2- 25	CP0096B0
VM1- 27	CP3648A0	VF1- 27	CP0785A0	VM2- 27	CP3648B0	VF2- 27	CP0786B0
VM1- 28	CP3070A0	VF1- 28	CP0098A0	VM2- 28	CP3070B0	VF2- 28	CP0079B0
VM1- 31.5	CP3053A0	VF1- 31.5	CP0787A0	VM2- 31.5	CP3053B0	VF2- 31.5	CP0061B0
VM1- 32	CP3078A0	VF1- 32	CP0099A0	VM2- 32	CP3078B0	VF2- 32	CP0087B0
VM1- 34	CP3085A0	VF1- 34	CP0100A0	VM2- 34	CP3085B0	VF2- 34	CP0100B0
VM1- 35.5	CP3649A0	VF1- 35.5	CP0788A0	VM2- 35.5	CP3649B0	VF2- 35.5	CP0788B0
VM1- 40	CP3060A0	VF1- 40	CP0101A0	VM2- 40	CP3060B0	VF2- 40	CP0101B0
VM1- 45	CP3086A0	VF1- 45	CP0102A0	VM2- 45	CP3086B0	VF2- 45	CP0102B0
VM1- 47	CP3650A0	VF1- 47	CP0199A0	VM2- 47	CP3650B0	VF2- 47	CP0199B0
VM1- 50	CP3064A0	VF1- 50	CP0072A0	VM2- 50	CP3064B0	VF2- 50	CP0072B0
VM1- 53	CP3087A0	VF1- 53	CP0103A0	VM2- 53	CP3087B0	VF2- 53	CP0103B0
VM1- 55	CP3651A0	VF1- 55	CP0789A0	VM2- 55	CP3651B0	VF2- 55	CP0789B0
VM1- 56	CP3652A0	VF1- 56	CP0790A0	VM2- 56	CP3652B0	VF2- 56	CP0790B0
VM1- 60	CP3088A0	VF1- 60	CP0104A0	VM2- 60	CP3088B0	VF2- 60	CP0104B0
VM1- 63	CP3089A0	VF1- 63	CP0105A0	VM2- 63	CP3089B0	VF2- 63	CP0105B0
VM1- 64	CP3059A0	VF1- 64	CP0067A0	VM2- 64	CP3090B0	VF2- 64	CP0106B0
VM1- 67	CP3091A0	VF1- 67	CP0107A0	VM2- 67	CP3091B0	VF2- 67	CP0791B0
VM1- 70	CP3051A0	VF1- 70	CP0029A1	VM2- 70	CP3051B0	VF2- 70	CP0059B0
VM1- 71	CP3653A0	VF1- 71	CP0792A0	VM2- 71	CP3653B0	VF2- 71	CP0793B0
VM1- 75	CP3092A0	VF1- 75	CP0109A0	VM2- 75	CP3092B0	VF2- 75	CP0108B0
VM1- 80	CP3007A0	VF1- 80	CP0055A0	VM2- 80	CP3093B0	VF2- 80	CP0009B1
VM1- 85	CP3094A0	VF1- 85	CP0110A0	VM2- 85	CP3094B0	VF2- 85	CP0794B0
VM1- 90	CP3095A0	VF1- 90	CP0111A0	VM2- 90	CP3095B0	VF2- 90	CP0313B0
VM1- 92	CP3675A0	VF1- 92	CP0846A0	VM2- 92	CP3675B0	VF2- 92	CP0847B0
VM1- 95	CP3096A0	VF1- 95	CP0113A0	VM2- 95	CP3096B0	VF2- 95	CP0112B0

V96H TYPE PACKINGS FOR BOTH PISTON AND ROD SEALS (EQUIVALENT TO JIS B 2403)



Nominal Number	Nominal Size of Packing			NOK Part Number	Adapter size		Installation length H			C ₁	φd ₁	φD ₁
	d	D	B		A	C	Number of packings					
							3	4	5			
H 100	100	120	4.0±0.3	CV0872F0	10	25	29	33	5	5	d+2	D-2
H 105	105	125		CV0927F0								
H 106	106	126		CV0939F0								
H 112	112	132		CV0966F0								
H 118	118	138		CV1896F0								
H 120	120	140		CV0993F0								
H 125	125	150	5.0±0.3	CV1017F0	3	12.5	30.5	35.5	40.5	6.5	d+2	D-2
H 132	132	157		CV1053F0								
H 135	135	160		CV1062F0								
H 140	140	165		CV1087F0								
H 145	145	170		CV1116F0								
H 150	150	175		CV1143F0								
H 155	155	180		CV1176F0								
H 160	160	185		CV1183C0								
H 165	165	190		CV1203F0								
H 170	170	195		CV1215F0								
H 175	175	200		CV1235F0								
H 180	180	205		CV1260F0								
H 190	190	215		CV1286F0								
H 199	199	224		CV1308F0								
H 200	200	225	CV1315F0									
H 212	212	237	CV1350F0									
H 224	224	249	CV1384F0									
H 225	225	250	CV1392F0									
H 236	236	261	CV1416F0									
H 250	250	275	CV1445F0									
H 265	265	297	CV1486F0									
H 280	280	312	6.0±0.4	CV1512F0	16	37	43	49	7.5	d+3	D-3	
H 300	300	332		CV1539F0								

F DIMENSION V96H



●The roughness is JIS B 0601: 2001.
When regulation length cannot be kept, apply Pt.

Fabric reinforced nitrile rubber adapter

Metal (equivalent to BC3) adapter

Male

Female

Male

Female

Nominal Number	NOK Part Number	Nominal Number	NOK Part Number	Nominal Number	NOK Part Number	Nominal Number	NOK Part Number
VM1-100	CP3008A0	VF1-100	CP0114A0	VM2-100	CP3008B0	VF2-100	CP0010B1
VM1-105	CP3097A0	VF1-105	CP0116A0	VM2-105	CP3097B0	VF2-105	CP0115B0
VM1-106	CP3098A0	VF1-106	CP0117A0	VM2-106	CP3098B0	VF2-106	CP0795B0
VM1-112	CP3099A0	VF1-112	CP0118A0	VM2-112	CP3099B0	VF2-112	CP0796B0
VM1-118	CP3655A0	VF1-118	CP0848A0	VM2-118	CP3655B0	VF2-118	CP0797B0
VM1-120	CP3100A0	VF1-120	CP0119A0	VM2-120	CP3100B0	VF2-120	CP0120B0
VM1-125	CP3101A0	VF1-125	CP0121A0	VM2-125	CP3101B0	VF2-125	CP0011B1
VM1-132	CP3656A0	VF1-132	CP0798A0	VM2-132	CP3656B0	VF2-132	CP0799B0
VM1-135	CP3343A0	VF1-135	CP0800A0	VM2-135	CP3343B0	VF2-135	CP0402B0
VM1-140	CP3102A0	VF1-140	CP0211A0	VM2-140	CP3102B0	VF2-140	CP0122B0
VM1-145	CP3103A0	VF1-145	CP0123A0	VM2-145	CP3010B0	VF2-145	CP0012B1
VM1-150	CP3104A0	VF1-150	CP0124A0	VM2-150	CP3104B0	VF2-150	CP0438B0
VM1-155	CP3105A0	VF1-155	CP0125A0	VM2-155	CP3105B0	VF2-155	CP0801B0
VM1-160	CP3039A0	VF1-160	CP0071A0	VM2-160	CP3039B0	VF2-160	CP0126B0
VM1-165	CP3025A0	VF1-165	CP0802A0	VM2-165	CP3025B0	VF2-165	CP0463B0
VM1-170	CP3657A0	VF1-170	CP0803A0	VM2-170	CP3657B0	VF2-170	CP0013B1
VM1-175	CP3061A0	VF1-175	CP0068A0	VM2-175	CP3061B0	VF2-175	CP0638B0
VM1-180	CP3013A0	VF1-180	CP0804A0	VM2-180	CP3013B0	VF2-180	CP0015B1
VM1-190	CP3413A0	VF1-190	CP0805A0	VM2-190	CP3413B0	VF2-190	CP0806B0
VM1-199	CP3069A0	VF1-199	CP0807A0	VM2-199	CP3069B0	VF2-199	CP0078B0
VM1-200	CP3106A0	VF1-200	CP0127A0	VM2-200	CP3106B0	VF2-200	CP0128B0
VM1-212	CP3676A0	VF1-212	CP0062A0	VM2-212	CP3676B0	VF2-212	CP0524B0
VM1-224	CP3658A0	VF1-224	CP0808A0	VM2-224	CP3658B0	VF2-224	CP0809B0
VM1-225	CP3677A0	VF1-225	CP0070A0	VM2-225	CP3677B0	VF2-225	CP0539B1
VM1-236	CP3107A0	VF1-236	CP0810A0	VM2-236	CP3107B0	VF2-236	CP0129B0
VM1-250	CP3062A0	VF1-250	CP0069A0	VM2-250	CP3062B0	VF2-250	CP0563B1
VM1-265	CP3108A0	VF1-265	CP0130A0	VM2-265	CP3108B0	VF2-265	CP0583B1
VM1-280	CP3057A0	VF1-280	CP0065A0	VM2-280	CP3057B0	VF2-280	CP0595B1
VM1-300	CP3048A0	VF1-300	CP0056A0	VM2-300	CP3048B0	VF2-300	CP0612B1